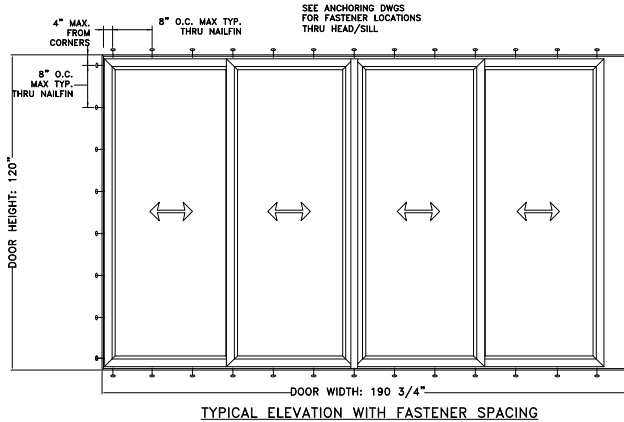
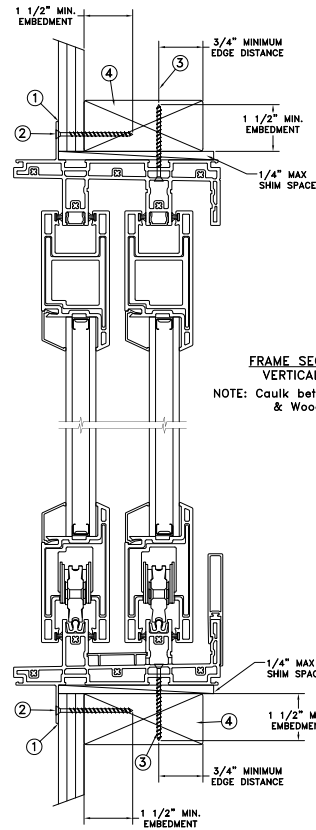


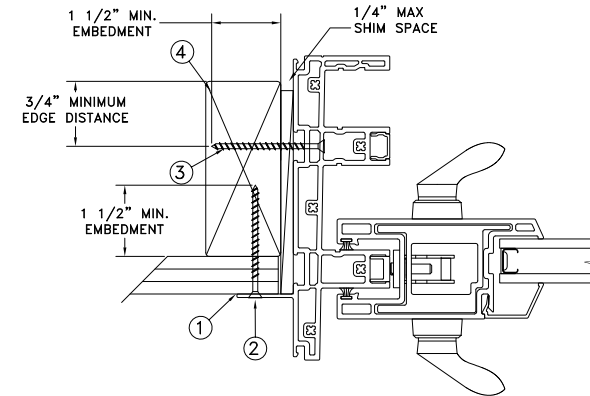
NAILFIN / THROUGH
FRAME INSTALLATION



TYPICAL ELEVATION WITH FASTENER SPACING



FRAME SECTION (TYP)
VERTICAL SECTION
NOTE: Caulk between Nailing Flange
& Wood Opening.



FRAME JAMB SECTION (TYP)
HORIZONTAL SECTION
NOTE: Caulk between Nailing Flange
& Wood Opening.

Max Frame	DP	IMPACT
190 3/4 x 120	+50/-55	NO

Installation Notes:

1. Seal flange/frame to substrate.
2. Use #8 PH or greater fastener through the nailfin with sufficient length to penetrate a minimum of 1 1/2" into the wood framing. For 2x wood frame substrate (min. S.G. = 0.42)
3. Use #8 PH or greater fastener through the pre-drilled holes in the head/sill tracks at the center (2) towers with sufficient length to penetrate a minimum of 1 1/2" into the wood framing. See additional details for location and spacing.
4. Host structure (wood buck, masonry, steel) to be designed and anchored to properly transfer all loads to the structure. The host structure is the responsibility of the architect or engineer of record for the project of installation.

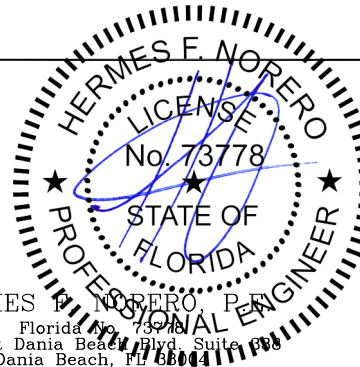
General Notes:

1. The product shown herein is designed, tested and manufactured to comply with the wind load criteria of the adopted International Building Code (IBC), the International Residential Code (IRC), the Florida Building Code (FBC) excluding HVHZ and the industry requirement for the stated conditions.
2. All glazing shall conform to ASTM E1300.
3. At minimum, glazing is 4.7mm Safety Glass - 12.9mm airspace - 4.7mm Safety Glass
4. Use structural or composite shims where required.

This schedule addresses only the fasteners required to anchor the unit to achieve the rated design pressure and impact performance (where applicable) up to the size limitations noted. It is not intended as a guide to the installation process and does not address the sealing consideration that may arise in different wall conditions. For the complete installation procedure, see the instructions packaged with the unit or go to www.jeld-wen.com/resources/installation.

DISCLAIMER:

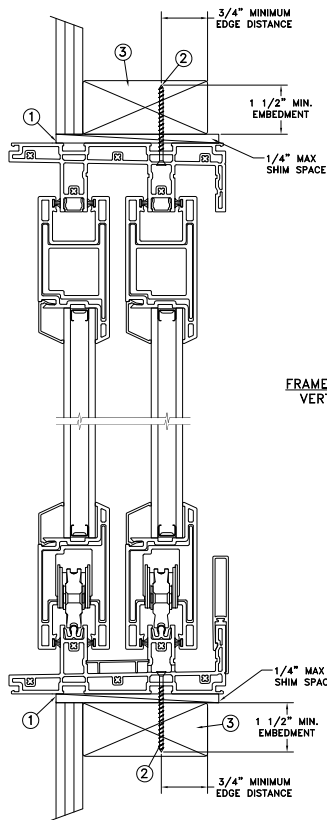
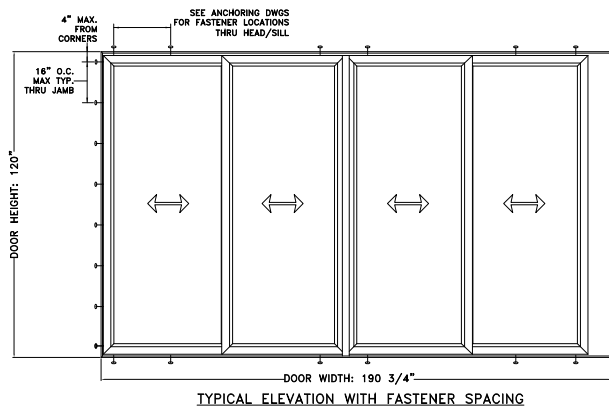
This drawing and its contents are confidential and are not to be reproduced or copied in whole or in part or used or disclosed to others except as authorized by JELD-WEN Inc.



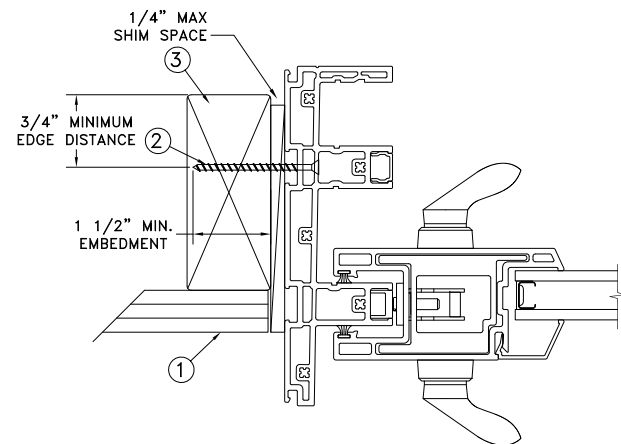
HERMES F. NORERO, P.E.
Florida Professional Engineer
398 East Dania Beach Blvd, Suite 200
Dania Beach, FL 33004

PROJECT ENGINEER:	DATE:	3737 LAKEPORT BLVD.	
	07/06/2017	KLAMATH FALLS OR, 97601	
DRAWN BY:	SCALE:	PHONE: (800) 535-3936	
J.HAWKINS	NTS	<p>JELD-WEN</p> <p>Premium Vinyl Multi-Slide Patio Door 4-Panel 2-Track XXXP Jamb</p>	
CHECKED BY:	TITLE:		
D.CROWELL			
APPROVED BY:		PLANT NAME AND LOCATION:	CAD DWG. No.:
J.GOOSEN		Venice-FL	PremVinylMTSLDR2 Cert
PART/PROJECT No.:		REV:	SHEET
D014905		A	
IDENTIFIER No.			
110-17-020			

THROUGH FRAME
INSTALLATION



FRAME SECTION (TYP)
VERTICAL SECTION



FRAME JAMB SECTION (TYP)
HORIZONTAL SECTION

Max Frame	DP	IMPACT
190 3/4 x 120	+50/-55	NO

Installation Notes:

1. Seal flange/frame to substrate.
2. Use #14 PH or greater fastener through the pre-drilled holes in the head/sill tracks at the center (2) towers with sufficient length to penetrate a minimum of 1 1/2" into the wood framing. See additional details for location and spacing. For 2X wood frame substrate (min. SG = 0.42)
3. Host structure (wood buck, masonry, steel) to be designed and anchored to properly transfer all loads to the structure. The host structure is the responsibility of the architect or engineer of record for the project of installation.

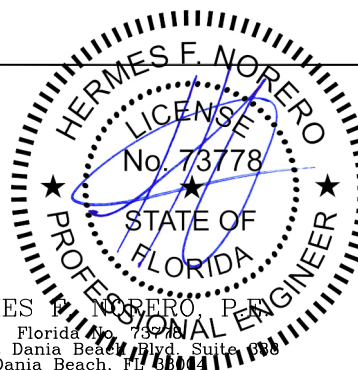
General Notes:

1. The product shown herein is designed, tested and manufactured to comply with the wind load criteria of the adopted International Building Code (IBC), the International Residential Code (IRC), the Florida Building Code (FBC) excluding HVHZ and the industry requirement for the stated conditions.
2. All glazing shall conform to ASTM E1300.
3. At minimum, glazing is 4.7mm Safety Glass - 12.9mm airspace - 4.7mm Safety Glass
4. Use structural or composite shims where required.

This schedule addresses only the fasteners required to anchor the unit to achieve the rated design pressure and impact performance (where applicable) up to the size limitations noted. It is not intended as a guide to the installation process and does not address the sealing consideration that may arise in different wall conditions. For the complete installation procedure, see the instructions packaged with the unit or go to www.jeld-wen.com/resources/installation.

DISCLAIMER:

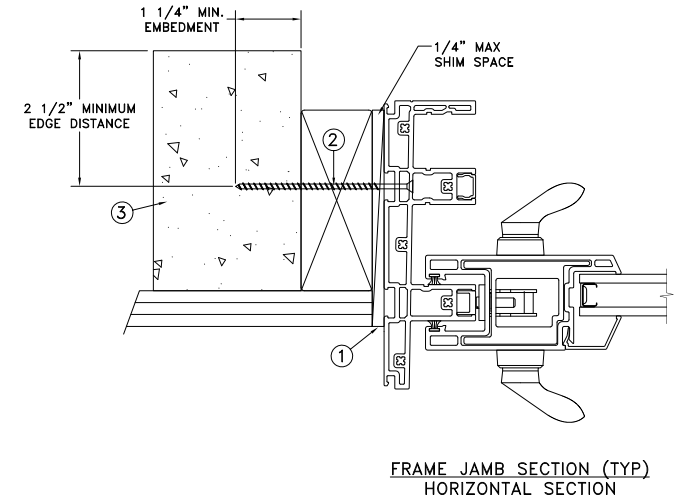
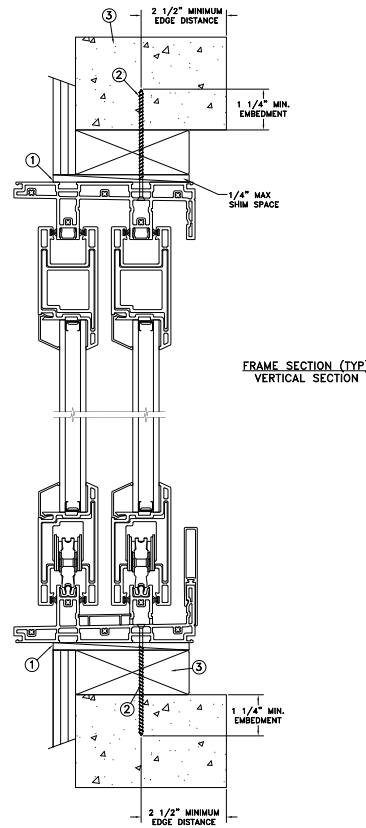
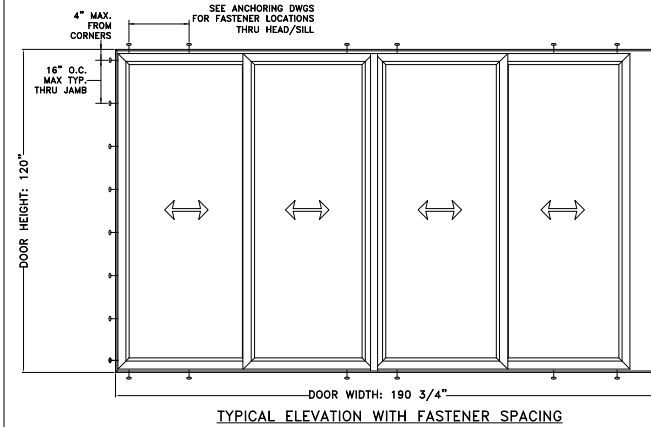
This drawing and its contents are confidential and are not to be reproduced or copied in whole or in part or used or disclosed to others except as authorized by JELD-WEN Inc.



HERMES F. NORERO, P.E.
Florida License No. 73778
398 East Dania Beach Blvd, Suite 100
Dania Beach, FL 33004

PROJECT ENGINEER:	DATE:	3737 LAKEPORT BLVD.	
	07/06/2017	KLAMATH FALLS OR, 97601	
DRAWN BY:	SCALE:	PHONE: (800) 535-3936	
J.HAWKINS	NTS	<p>JELD-WEN</p> <p>Premium Vinyl Multi-Slide Patio Door</p> <p>4-Panel 2-Track XXXP Jamb</p>	
CHECKED BY:	TITLE:		
D.CROWELL			
APPROVED BY:			
J.GOOSSEN			
PART/PROJECT No.:			
D014905			
IDENTIFIER No.	PLANT NAME AND LOCATION:	CAD DWG. No.:	REV: A SHEET
110-17-020	Venice-FL	PremVinylMTSLDR2 Cert	

CONCRETE/MASONRY
INSTALLATION



Max Frame	DP	IMPACT
190 3/4 x 120	+50/-55	NO

Installation Notes:

1. Seal flange/frame to substrate.
2. Use 1/4" Elco Tapcon or equivalent fasteners through the pre-drilled holes in the head/sill tracks at the center (2) towers with sufficient length to penetrate a minimum of 1 1/2" into concrete or masonry at each location with a 2 1/2" min. from edge distance. For concrete (min. fc = 2000 psi) or masonry substrate (CMU shall adhere to ASTM C90).
3. Host structure (wood buck, masonry, steel) to be designed and anchored to properly transfer all loads to the structure. The host structure is the responsibility of the architect or engineer of record for the project of installation.

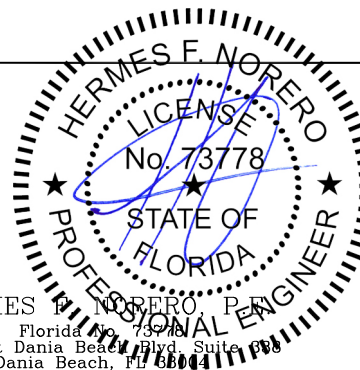
General Notes:

1. The product shown herein is designed, tested and manufactured to comply with the wind load criteria of the adopted International Building Code (IBC), the International Residential Code (IRC), the Florida Building Code (FBC) excluding HVHZ and the industry requirement for the stated conditions.
2. All glazing shall conform to ASTM E1300.
3. At minimum, glazing is 4.7mm Safety Glass - 12.9mm airspace - 4.7mm Safety Glass.
4. Use structural or composite shims where required.

This schedule addresses only the fasteners required to anchor the unit to achieve the rated design pressure and impact performance (where applicable) up to the size limitations noted. It is not intended as a guide to the installation process and does not address the sealing consideration that may arise in different wall conditions. For the complete installation procedure, see the instructions packaged with the unit or go to www.jeld-wen.com/resources/installation.

DISCLAIMER:

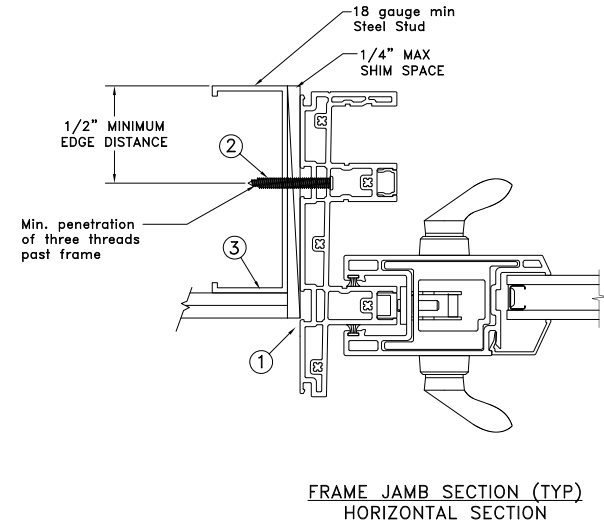
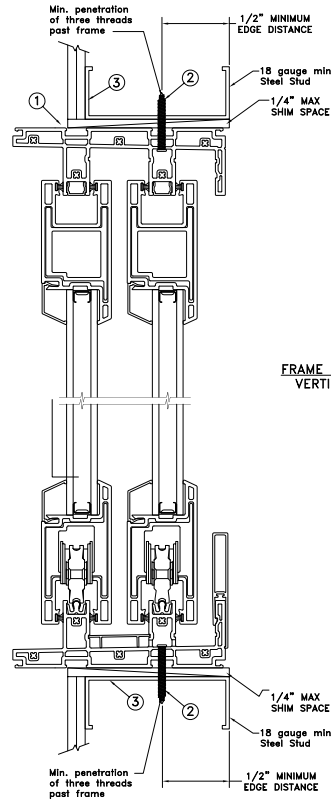
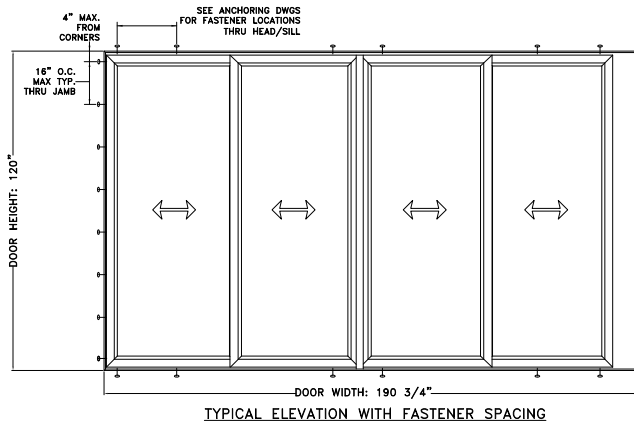
This drawing and its contents are confidential and are not to be reproduced or copied in whole or in part or used or disclosed to others except as authorized by JELD-WEN Inc.



HERMES F. NORERO, P.E.
Florida Professional Engineer
398 East Dania Beach Blvd Suite 200
Dania Beach, FL 33004

PROJECT ENGINEER:	DATE:	3737 LAKEPORT BLVD.	
	07/06/2017	KLAMATH FALLS OR, 97601	
DRAWN BY:	SCALE:	PHONE: (800) 535-3936	
J.HAWKINS	NTS		
CHECKED BY:	TITLE:		
D.CROWELL	Premium Vinyl Multi-Slide Patio Door		
APPROVED BY:		4-Panel 2-Track XXXP Jamb	
J.GOOSSEN			
PART/PROJECT No.:			
D014905			
IDENTIFIER No.	PLANT NAME AND LOCATION:	CAD DWG. No.:	REV: A SHEET
110-17-020	Venice-FL	PremVinylMTSLDR2 Cert	

STEEL INSTALLATION



Max Frame	DP	IMPACT
190 3/4 x 120	+50/-55	NO

Installation Notes:

1. Seal flange/frame to substrate.
2. For anchoring into metal framing use #12 TEK Self-Tapping screws with sufficient length to achieve a minimum penetration of three threads past the frame thickness. Steel substrate min. 18ga., fy = 33 ksi.
3. Host structure (wood buck, masonry, steel) to be designed and anchored to properly transfer all loads to the structure. The host structure is the responsibility of the architect or engineer of record for the project of installation.

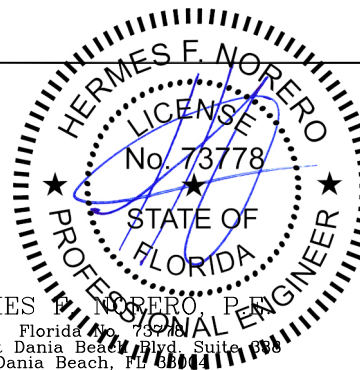
General Notes:

1. The product shown herein is designed, tested and manufactured to comply with the wind load criteria of the adopted International Building Code (IBC), the International Residential Code (IRC), the Florida Building Code (FBC) excluding HVHZ and the industry requirement for the stated conditions.
2. All glazing shall conform to ASTM E1300.
3. At minimum, glazing is 4.7mm Safety Glass - 12.9mm airspace - 4.7mm Safety Glass.
4. Use structural or composite shims where required.

This schedule addresses only the fasteners required to anchor the unit to achieve the rated design pressure and impact performance (where applicable) up to the size limitations noted. It is not intended as a guide to the installation process and does not address the sealing consideration that may arise in different wall conditions. For the complete installation procedure, see the instructions packaged with the unit or go to www.jeld-wen.com/resources/installation.

DISCLAIMER:

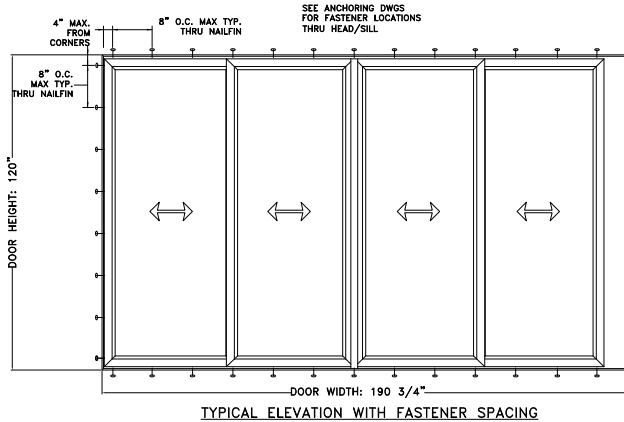
This drawing and its contents are confidential and are not to be reproduced or copied in whole or in part or used or disclosed to others except as authorized by JELD-WEN Inc.



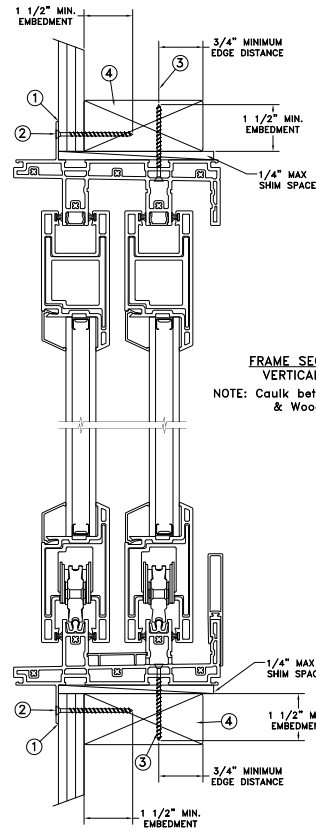
HERMES F. NORERO, P.E.
 Florida Professional Engineer
 398 East Dania Beach Blvd Suite 200
 Dania Beach, FL 33004

PROJECT ENGINEER:	DATE:	JELD-WEN 3737 LAKEPORT BLVD. KLAMATH FALLS OR, 97601 PHONE: (800) 535-3936		
DRAWN BY:	SCALE:			
CHECKED BY:	TITLE:	Premium Vinyl Multi-Slide Patio Door 4-Panel 2-Track XXXP Jamb		
APPROVED BY:				
PART/PROJECT No.:				
IDENTIFIER No.	PLANT NAME AND LOCATION:	CAD DWG. No.:	REV:	SHEET
110-17-020	Venice-FL	PremVinylMTSLDR2 Cert	A	

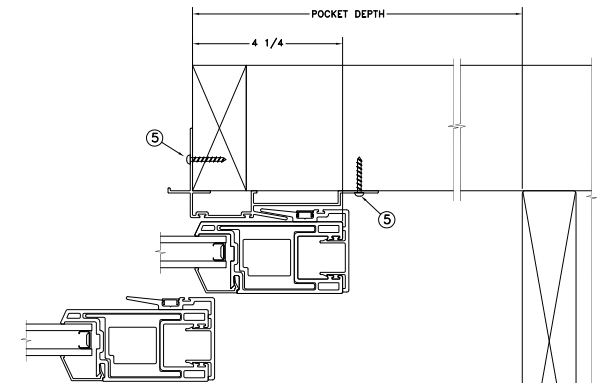
NAILFIN / THROUGH FRAME INSTALLATION



TYPICAL ELEVATION WITH FASTENER SPACING



FRAME SECTION (TYP)
VERTICAL SECTION
NOTE: Caulk between Nailing Flange & Wood Opening.



FRAME JAMB SECTION (TYP)
HORIZONTAL SECTION

Max Frame	DP	IMPACT
190 3/4 x 120	+50/-55	NO

Installation Notes:

1. Seal flange/frame to substrate.
2. Use #8 PH or greater fastener through the nailfin with sufficient length to penetrate a minimum of 1 1/2" into the wood framing. For 2x wood frame substrate (min. S.G. = 0.42)
3. Use #8 PH or greater fastener through the pre-drilled holes in the head/sill tracks at the center (2) towers with sufficient length to penetrate a minimum of 1 1/2" into the wood framing. See additional details for location and spacing.
4. Host structure (wood buck, masonry, steel) to be designed and anchored to properly transfer all loads to the structure. The host structure is the responsibility of the architect or engineer of record for the project of installation.
5. Use #8 PH or greater fastener through hook strip 6" from ends and 12" o.c.

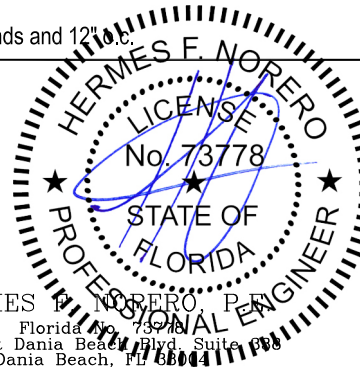
General Notes:

1. The product shown herein is designed, tested and manufactured to comply with the wind load criteria of the adopted International Building Code (IBC), the International Residential Code (IRC), the Florida Building Code (FBC) excluding HVHZ and the industry requirement for the stated conditions.
2. All glazing shall conform to ASTM E1300.
3. At minimum, glazing is 4.7mm Safety Glass - 12.9mm airspace - 4.7mm Safety Glass
4. Use structural or composite shims where required.

This schedule addresses only the fasteners required to anchor the unit to achieve the rated design pressure and impact performance (where applicable) up to the size limitations noted. It is not intended as a guide to the installation process and does not address the sealing consideration that may arise in different wall conditions. For the complete installation procedure, see the instructions packaged with the unit or go to www.jeld-wen.com/resources/installation.

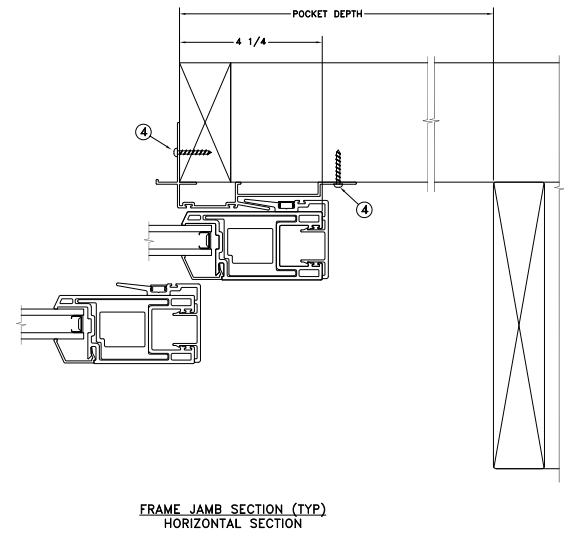
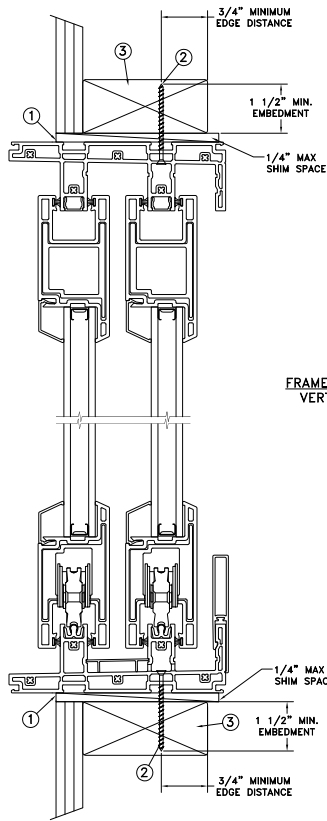
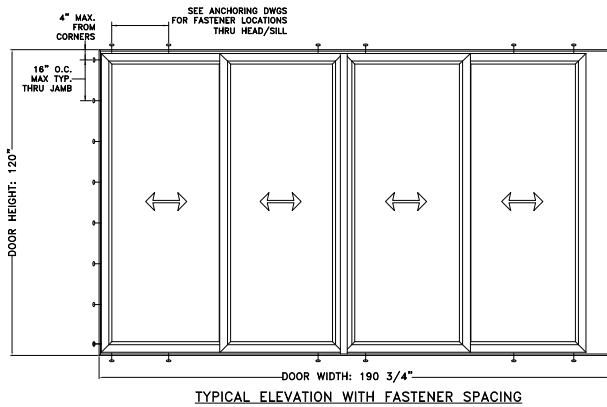
DISCLAIMER:

This drawing and its contents are confidential and are not to be reproduced or copied in whole or in part or used or disclosed to others except as authorized by JELD-WEN Inc.



HERMES E. NORERO, P.E.
Florida Professional Engineer
398 East Dania Beach Blvd Suite 200
Dania Beach, FL 33004

PROJECT ENGINEER:	DATE:	JELD-WEN 3737 LAKEPORT BLVD. KLAMATH FALLS OR, 97601 PHONE: (800) 535-3936		
DRAWN BY:	SCALE:			
CHECKED BY:	TITLE:	Premium Vinyl Multi-Slide Patio Door 4-Panel 2-Track XXXP Pocket		
APPROVED BY:				
PART/PROJECT No.:				
IDENTIFIER No.	PLANT NAME AND LOCATION:	CAD DWG. No.:	REV:	SHEET
110-17-020	Venice-FL	PremVinylMTSLDR2 Cert	A	



THROUGH FRAME
INSTALLATION

Max Frame	DP	IMPACT
190 3/4 x 120	+50/-55	NO

Installation Notes:

1. Seal flange/frame to substrate.
2. Use #14 PH or greater fastener through the pre-drilled holes in the head/sill tracks at the center (2) towers with sufficient length to penetrate a minimum of 1 1/2" into the wood framing. See additional details for location and spacing. For 2X wood frame substrate (min. SG = 0.42)
3. Host structure (wood buck, masonry, steel) to be designed and anchored to properly transfer all loads to the structure. The host structure is the responsibility of the architect or engineer of record for the project of installation.
4. Use #8 PH or greater fastener through hook strip 6" from ends and 12" o.c.

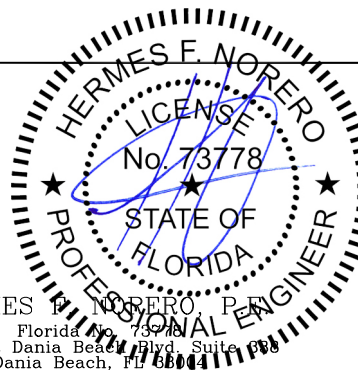
General Notes:

1. The product shown herein is designed, tested and manufactured to comply with the wind load criteria of the adopted International Building Code (IBC), the International Residential Code (IRC), the Florida Building Code (FBC) excluding HVHZ and the industry requirement for the stated conditions.
2. All glazing shall conform to ASTM E1300.
3. At minimum, glazing is 4.7mm Safety Glass - 12.9mm airspace - 4.7mm Safety Glass
4. Use structural or composite shims where required.

This schedule addresses only the fasteners required to anchor the unit to achieve the rated design pressure and impact performance (where applicable) up to the size limitations noted. It is not intended as a guide to the installation process and does not address the sealing consideration that may arise in different wall conditions. For the complete installation procedure, see the instructions packaged with the unit or go to www.jeld-wen.com/resources/installation.

DISCLAIMER:

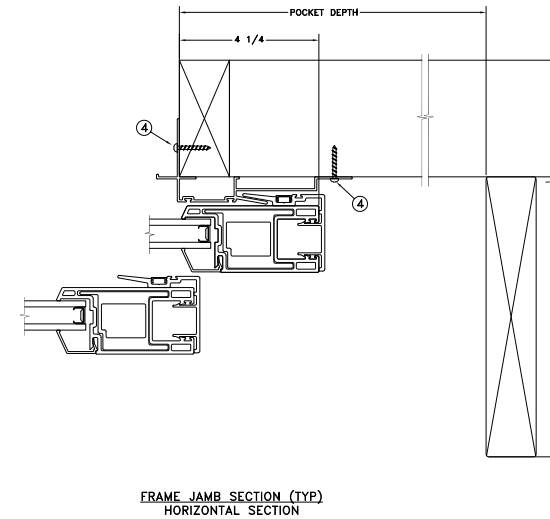
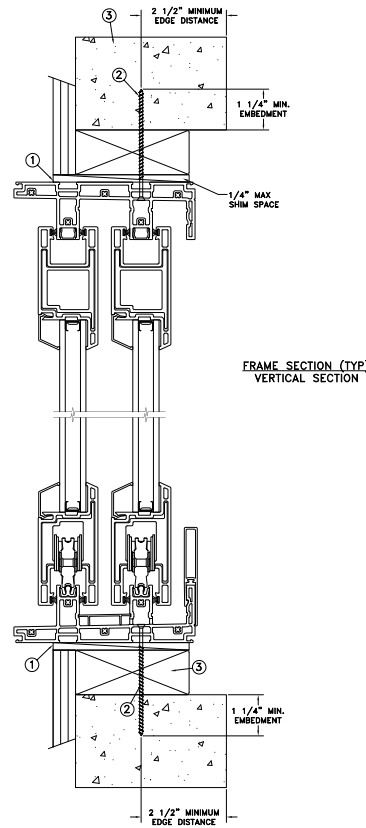
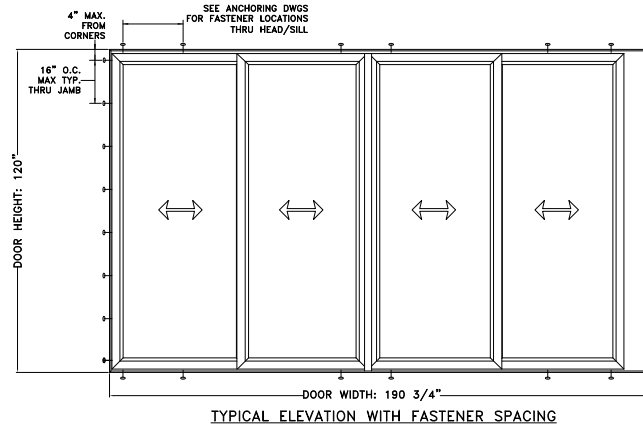
This drawing and its contents are confidential and are not to be reproduced or copied in whole or in part or used or disclosed to others except as authorized by JELD-WEN Inc.



HERMES F. NORERO, P.E.
Florida Professional Engineer
398 East Dania Beach Blvd, Suite 100
Dania Beach, FL 33004

PROJECT ENGINEER:	DATE:	3737 LAKEPORT BLVD.	
	07/06/2017	KLAMATH FALLS OR, 97601	
DRAWN BY:	SCALE:	PHONE: (800) 535-3936	
J.HAWKINS	NTS		
CHECKED BY:	TITLE:		
D.CROWELL	Premium Vinyl Multi-Slide Patio Door		
APPROVED BY:		4-Panel 2-Track XXXP Pocket	
J.GOOSSEN			
PART/PROJECT No.:			
D014905			
IDENTIFIER No.	PLANT NAME AND LOCATION:	CAD DWG. No.:	REV: A SHEET
110-17-020	Venice-FL	PremVinylMTSLDR2 Cert	

CONCRETE/MASONRY
INSTALLATION



Max Frame	DP	IMPACT
190 3/4 x 120	+50/-55	NO

Installation Notes:

1. Seal flange/frame to substrate.
2. Use 1/4" Elco Tapcon or equivalent fasteners through the pre-drilled holes in the head/sill tracks at the center (2) towers with sufficient length to penetrate a minimum of 1 1/2" into concrete or masonry at each location with a 2 1/2" min. from edge distance. For concrete (min. fc = 2000 psi) or masonry substrate (CMU shall adhere to ASTM C90).
3. Host structure (wood buck, masonry, steel) to be designed and anchored to properly transfer all loads to the structure. The host structure is the responsibility of the architect or engineer of record for the project of installation.
4. Use #8 PH or greater fastener through hook strip 6" from ends and 12" o.c.

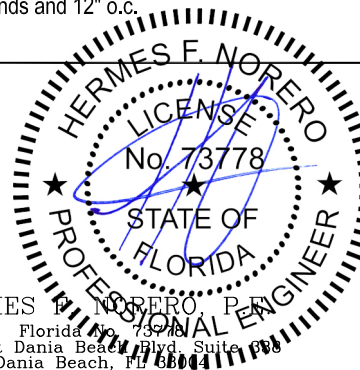
General Notes:

1. The product shown herein is designed, tested and manufactured to comply with the wind load criteria of the adopted International Building Code (IBC), the International Residential Code (IRC), the Florida Building Code (FBC) excluding HVHZ and the industry requirement for the stated conditions.
2. All glazing shall conform to ASTM E1300.
3. At minimum, glazing is 4.7mm Safety Glass - 12.9mm airspace - 4.7mm Safety Glass.
4. Use structural or composite shims where required.

This schedule addresses only the fasteners required to anchor the unit to achieve the rated design pressure and impact performance (where applicable) up to the size limitations noted. It is not intended as a guide to the installation process and does not address the sealing consideration that may arise in different wall conditions. For the complete installation procedure, see the instructions packaged with the unit or go to www.jeld-wen.com/resources/installation.

DISCLAIMER:

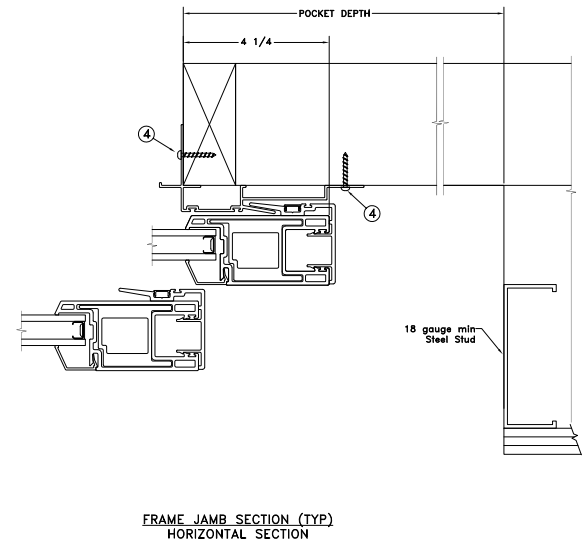
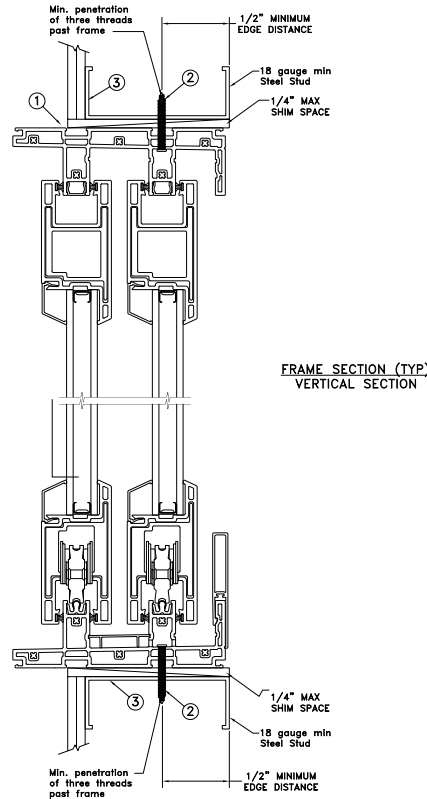
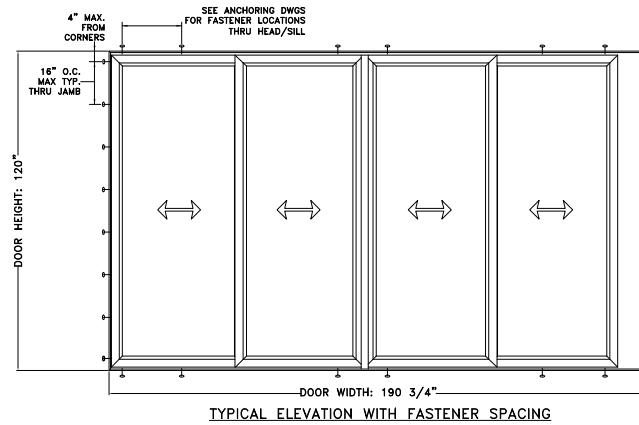
This drawing and its contents are confidential and are not to be reproduced or copied in whole or in part or used or disclosed to others except as authorized by JELD-WEN Inc.



HERMES F. NORERO, P.E.
Florida Professional Engineer
398 East Dania Beach Blvd Suite 200
Dania Beach, FL 33004

PROJECT ENGINEER:	DATE:	3737 LAKEPORT BLVD.	
DRAWN BY:	SCALE:	KLAMATH FALLS OR, 97601	
CHECKED BY:	TITLE:	PHONE: (800) 535-3936	
APPROVED BY:	Premium Vinyl Multi-Slide Patio Door 4-Panel 2-Track XXXP Pocket		
PART/PROJECT No.:			
IDENTIFIER No.	PLANT NAME AND LOCATION:	CAD DWG. No.:	REV: A SHEET
110-17-020	Venice-FL	PremVinylMTSLDR2 Cert	

STEEL INSTALLATION



Max Frame	DP	IMPACT
190 3/4 x 120	+50/-55	NO

Installation Notes:

1. Seal flange/frame to substrate.
2. For anchoring into metal framing use #12 TEK Self-Tapping screws with sufficient length to achieve a minimum penetration of three threads past the frame thickness. Steel substrate min. 18ga., fy = 33 ksi.
3. Host structure (wood buck, masonry, steel) to be designed and anchored to properly transfer all loads to the structure. The host structure is the responsibility of the architect or engineer of record for the project of installation.
4. Use #8 PH or greater fastener through hook strip 6" from ends and 12" o.c.

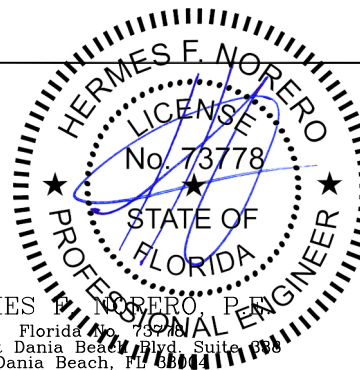
General Notes:

1. The product shown herein is designed, tested and manufactured to comply with the wind load criteria of the adopted International Building Code (IBC), the International Residential Code (IRC), the Florida Building Code (FBC) excluding HVHZ and the industry requirement for the stated conditions.
2. All glazing shall conform to ASTM E1300.
3. At minimum, glazing is 4.7mm Safety Glass - 12.9mm airspace - 4.7mm Safety Glass.
4. Use structural or composite shims where required.

This schedule addresses only the fasteners required to anchor the unit to achieve the rated design pressure and impact performance (where applicable) up to the size limitations noted. It is not intended as a guide to the installation process and does not address the sealing consideration that may arise in different wall conditions. For the complete installation procedure, see the instructions packaged with the unit or go to www.jeld-wen.com/resources/installation.

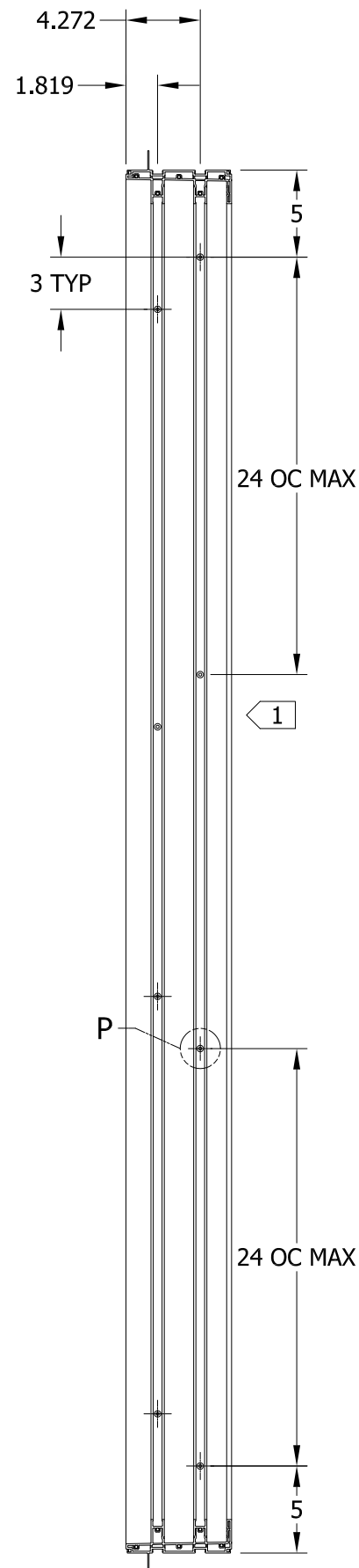
DISCLAIMER:

This drawing and its contents are confidential and are not to be reproduced or copied in whole or in part or used or disclosed to others except as authorized by JELD-WEN Inc.



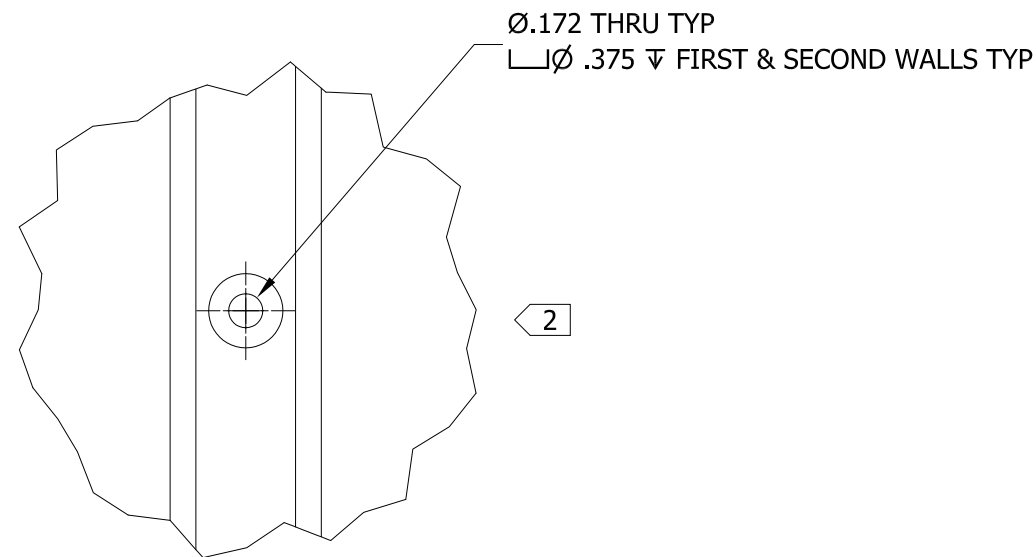
HERMES F. NORERO, P.E.
 Florida No. 73778
 398 East Dania Beach Blvd Suite 200
 Dania Beach, FL 33044

PROJECT ENGINEER:	DATE:	JELD-WEN 3737 LAKEPORT BLVD. KLAMATH FALLS OR, 97601 PHONE: (800) 535-3936		
DRAWN BY:	SCALE:			
CHECKED BY:	TITLE:	Premium Vinyl Multi-Slide Patio Door 4-Panel 2-Track XXXP Pocket		
APPROVED BY:				
PART/PROJECT No.:				
IDENTIFIER No.	PLANT NAME AND LOCATION:	CAD DWG. No.:	REV:	SHEET
110-17-020	Venice-FL	PremVinylMTSLDR2 Cert	A	

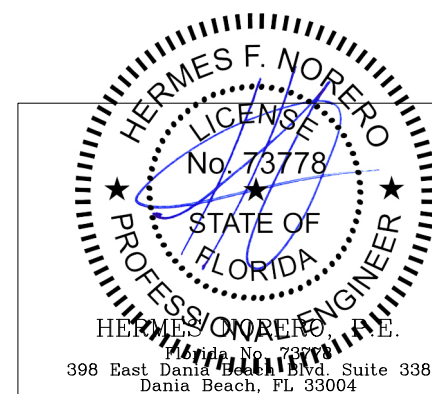


NOTES:

- 1. ANCHOR PATTERN LOCATED IN TRACKS 1 & 2 SHIFT AS DETAILED
- 1. HOLES TO BE OMITTED IF ON CENTER CALCULATIONS FALL WITHIN 2" OF KEEPER LOCATION
- 2. ALL HOLES IN ALL POSITIONS TO BE CENTERED WITHIN TRACK TOWERS IN JAMB
- 3. THRU FRAME INSTALLATION



DETAIL P
SCALE 1 : 1



UNLESS SPECIFIED ALL DIMENSIONS IN INCHES
DO NOT SCALE DRAWING - REPORT ANY ERRORS

TOLERANCES (UNLESS SPECIFIED OTHERWISE)	
COMPONENT / PART TOLERANCES	
UNDER 10'-0" ± 1/32	.X ± .1
OVER 10'-0" ± 1/16	.XX ± .02
ANGULAR ± 1°	.XXX ± .006

UNIT ASSEMBLY TOLERANCES	
HEIGHT ± 1/16	WIDTH ± 1/16
MULLION ± 1/16	FRACTION ± 1/32

PROJECT ENGINEER:
N HERTZOG

DRAWN BY:
A BURWELL

CHECKED BY:
J JONES

APPROVED BY:
J JONES

IDENTIFIER No.

DATE:
9/11/2015

SCALE:
1:10

TITLE:
**2-TRACK FRAME
MULTI-SLIDE PATIO DOOR
JAMB ANCHOR HOLE DETAIL**

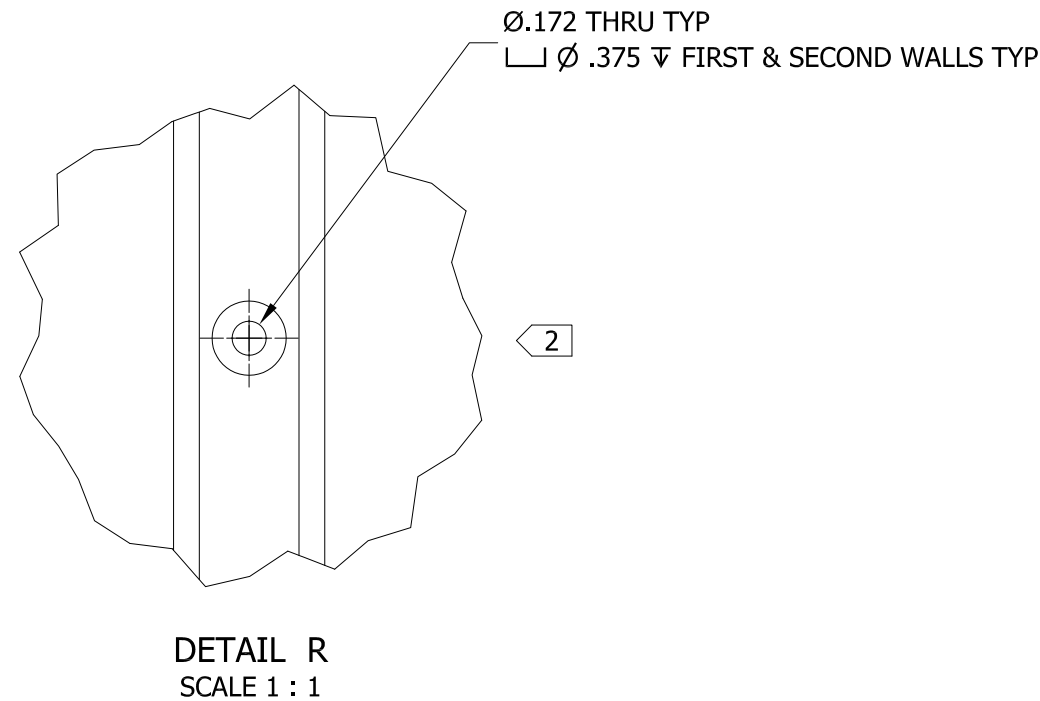
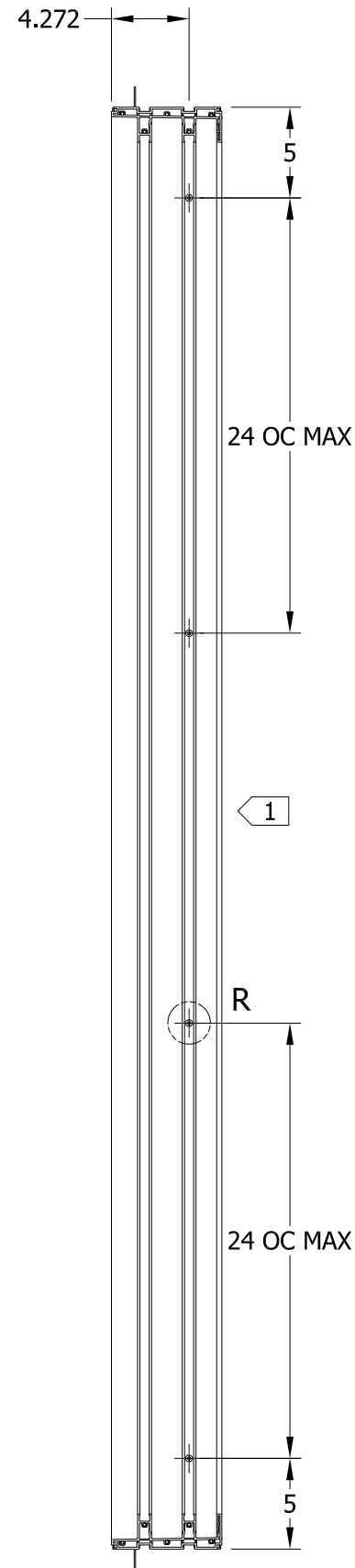
MODEL No.:
P012967-199.ipt

DRAWING No.:
P012967

© 2015 JELD-WEN, inc. ALL RIGHTS RESERVED. NO DUPLICATION OR DISTRIBUTION PERMITTED. JELD-WEN, inc. CONFIDENTIAL AND PROPRIETARY.

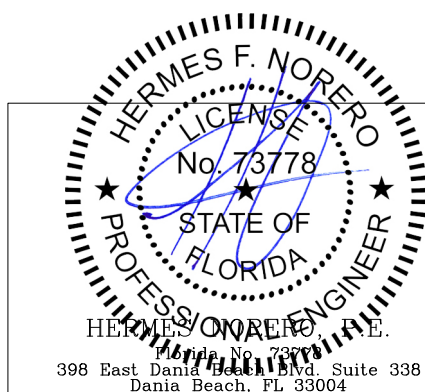
REV: **B** SHEET **8** OF **17**





NOTES:

- 1. ANCHOR PATTERN LOCATED IN TRACK 1 SHIFT AS DETAILED
- 1. HOLES TO BE OMITTED IF ON CENTER CALCULATIONS FALL WITHIN 2" OF KEEPER LOCATION
- 2. ALL HOLES IN ALL POSITIONS TO BE CENTERED WITHIN TRACK TOWERS IN JAMB
- 3. NAIL FIN INSTALLATION



UNLESS SPECIFIED ALL DIMENSIONS IN INCHES
DO NOT SCALE DRAWING - REPORT ANY ERRORS

TOLERANCES (UNLESS SPECIFIED OTHERWISE)	
COMPONENT / PART TOLERANCES	
UNDER 10'-0" ± 1/32	.X ± .1
OVER 10'-0" ± 1/16	.XX ± .02
ANGULAR ± 1°	.XXX ± .006
UNIT ASSEMBLY TOLERANCES	
HEIGHT ± 1/16	WIDTH ± 1/16
MULLION ± 1/16	FRACTION ± 1/32

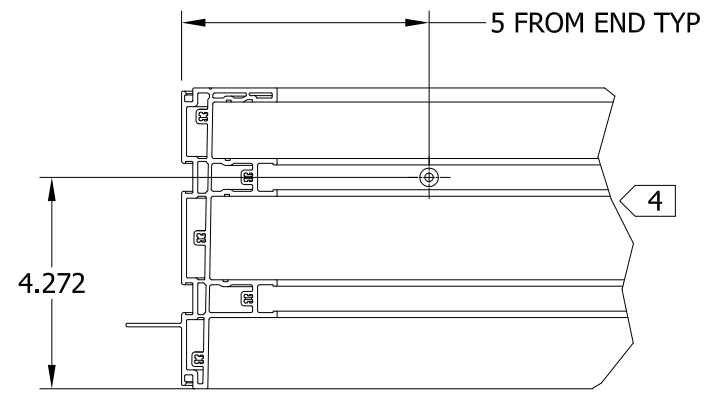
PROJECT ENGINEER:
N HERTZOG

DRAWN BY: A BURWELL
CHECKED BY: J JONES
APPROVED BY: J JONES
IDENTIFIER No.

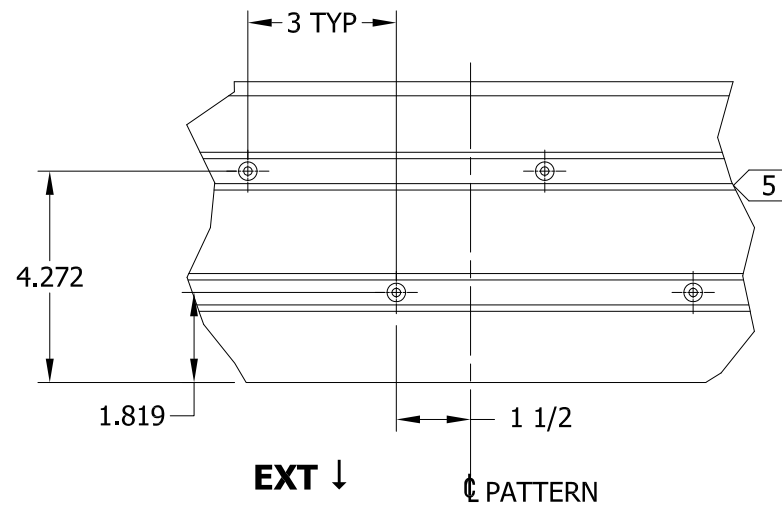
DATE:
9/11/2015

SCALE: 1 : 10
TITLE: 2-TRACK FRAME MULTI-SLIDE PATIO DOOR JAMB ANCHOR HOLES DETAIL
MODEL No.: P012967-198.ipt
DRAWING No.: P012967
© 2015 JELD-WEN, inc. ALL RIGHTS RESERVED. NO DUPLICATION OR DISTRIBUTION PERMITTED. JELD-WEN, inc. CONFIDENTIAL AND PROPRIETARY.

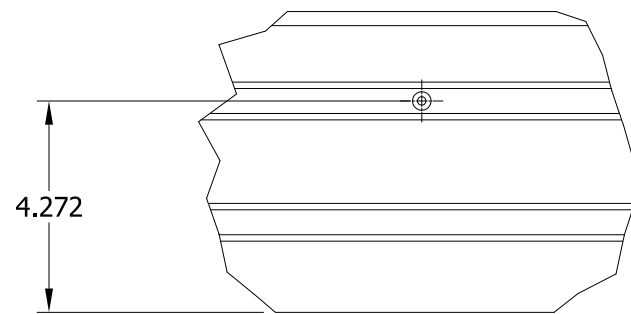




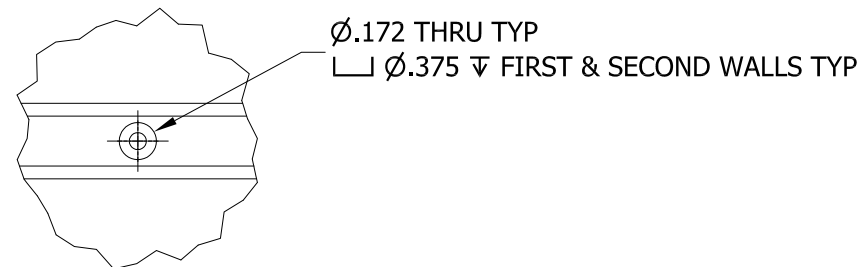
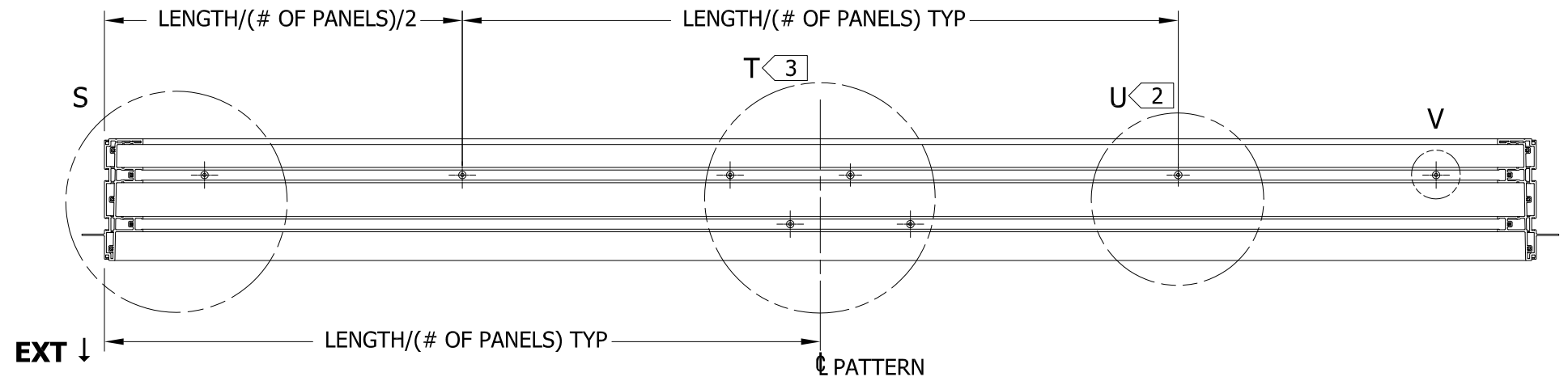
DETAIL S
SCALE 1 / 4
EXT ↓



DETAIL T
SCALE 1 / 4
EXT ↓



DETAIL U
SCALE 1 / 4
EXT ↓



DETAIL V TYPICAL HOLE

HERMES F. NORERO
LICENSE No. 73778
STATE OF FLORIDA
PROFESSIONAL ENGINEER
HERMES F. NORERO, E.
398 East Dania Beach Blvd, Suite 338
Dania Beach, FL 33004

NOTES:

- 1 ALL HOLES IN ALL POSITIONS TO BE CENTERED WITHIN TRACK TOWERS AT HEAD OR SILL
- 2 TYP 1 ANCHOR PER PANEL LOCATED IN TRACK 1 TOWER AND ALIGNED WITH CENTER POINT OF EACH CLOSED POSITION PANEL
- 3 ANCHOR PATTERN LOCATED IN TRACK 1 & 2 TOWERS AT EACH INTERLOCK AREA
- 4 1 ANCHOR AT ENDS LOCATED IN TRACK 1 TOWER BOTH HEAD AND SILL
- 5 TYP 4 ANCHOR PATTERN LOCATED IN TRACK 1 & 2 TOWERS APPROXIMATE CENTER OF EACH CLOSED POSITION PANEL INTERLOCK AREA
- 6 CONFIGURATION FOR PG35/50 DOORS WITH THRU FRAME INSTALL

UNLESS SPECIFIED ALL DIMENSIONS IN INCHES
DO NOT SCALE DRAWING - REPORT ANY ERRORS

TOLERANCES (UNLESS SPECIFIED OTHERWISE)	
COMPONENT / PART TOLERANCES	
UNDER 10'-0" ± 1/32	.X ± .1
OVER 10'-0" ± 1/16	.XX ± .02
ANGULAR ± 1°	.XXX ± .006
UNIT ASSEMBLY TOLERANCES	
HEIGHT ± 1/16	WIDTH ± 1/16
MULLION ± 1/16	FRACTION ± 1/32

PROJECT ENGINEER:
N HERTZOG
DRAWN BY:
A BURWELL
CHECKED BY:
J JONES
APPROVED BY:
J JONES
IDENTIFIER No.

DATE:
9/11/2015
SCALE:
AS SHOWN

TITLE:
**2-TRACK FRAME
MULTI-SLIDE PATIO DOOR
SILL AND HEAD ANCHOR HOLES DETAIL**

MODEL No.: **P012967-395.ipt**
DRAWING No.: **P012967**

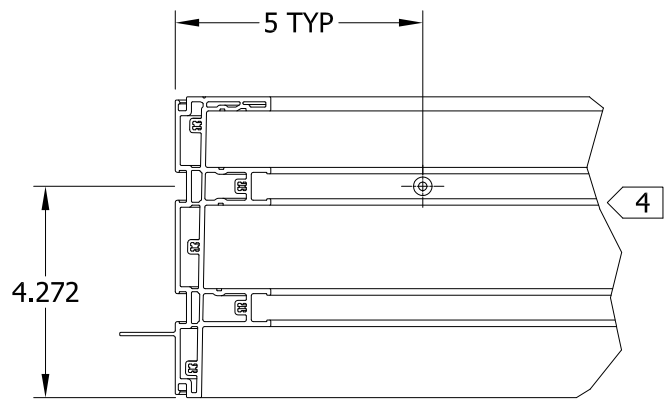
© 2015 JELD-WEN, inc. ALL RIGHTS RESERVED. NO DUPLICATION OR DISTRIBUTION PERMITTED. JELD-WEN, inc. CONFIDENTIAL AND PROPRIETARY.

REV: **B** SHEET **10** OF **17**

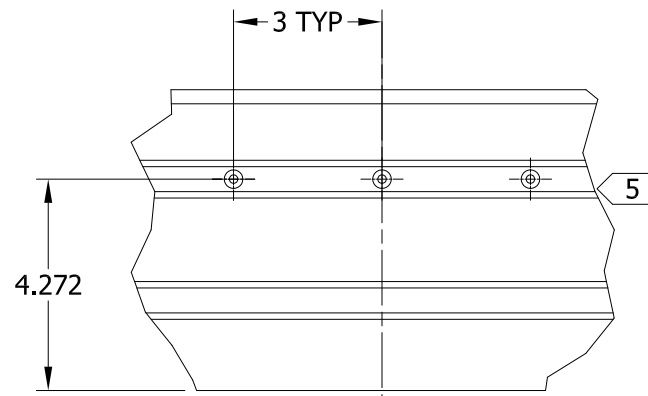
JELD-WEN
WINDOWS & DOORS
3737 Lakeport Blvd.
Klamath Falls, OR 97601
Phone: (541) 882-3451

NOTES:

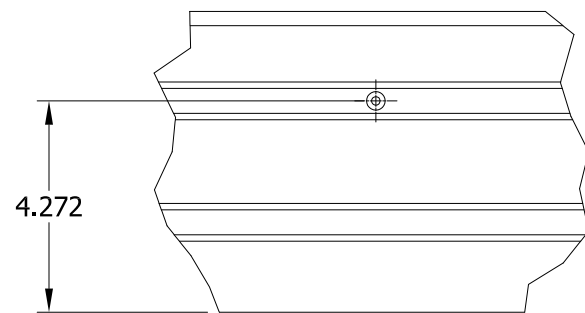
- 1 ALL HOLES IN ALL POSITIONS TO BE CENTERED WITHIN TRACK TOWERS AT HEAD OR SILL
- 2 TYP 1 ANCHOR PER PANEL LOCATED IN TRACK 1 TOWER AND ALIGNED WITH CENTER POINT OF EACH CLOSED POSITION PANEL
- 3 ANCHOR PATTERN LOCATED IN TRACK 1 TOWER AT EACH INTERLOCK AREA
- 4 1 ANCHOR AT ENDS LOCATED IN TRACK 1 TOWER BOTH HEAD AND SILL
- 5 TYP 3 ANCHOR PATTERN LOCATED IN TRACK 1 TOWER APPROXIMATE CENTER OF EACH CLOSED POSITION PANEL INTERLOCK AREA
- 6 CONFIGURATION FOR PG35/50 DOORS WITH NAIL FIN INSTALL



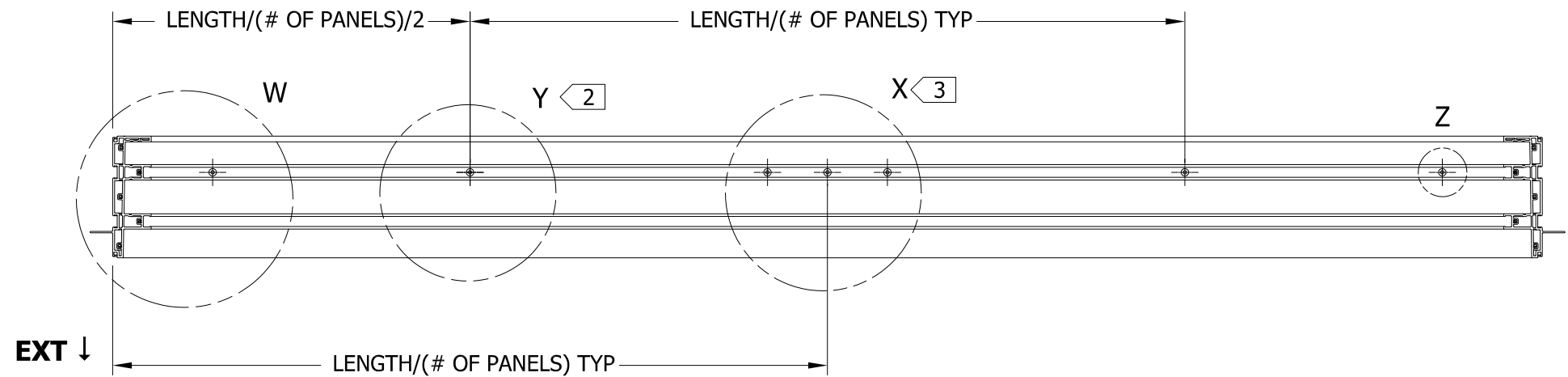
EXT ↓ DETAIL W
SCALE 1 / 4



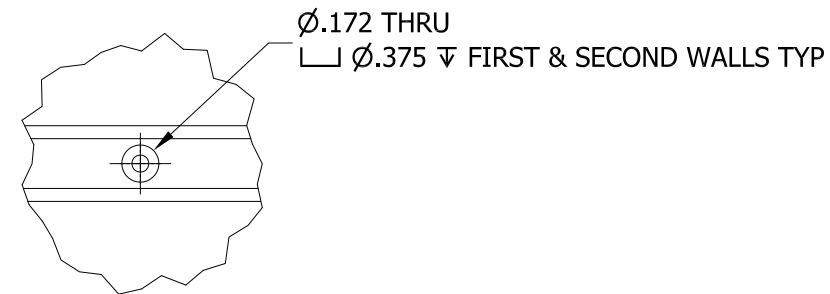
EXT ↓ PATTERN, SYM
DETAIL X
SCALE 1 / 4



EXT ↓ DETAIL Y
SCALE 1 / 4



EXT ↓



DETAIL Z TYPICAL HOLE
SCALE 1 / 2

HERMES F. NORERO
LICENSED PROFESSIONAL ENGINEER
No. 73778
STATE OF FLORIDA
HERMES F. NORERO, P.E.
398 East Dania Beach Blvd, Suite 338
Dania Beach, FL 33004

UNLESS SPECIFIED ALL DIMENSIONS IN INCHES
DO NOT SCALE DRAWING - REPORT ANY ERRORS

TOLERANCES (UNLESS SPECIFIED OTHERWISE) COMPONENT / PART TOLERANCES	
UNDER 10'-0" ± 1/32	.X ± .1
OVER 10'-0" ± 1/16	.XX ± .02
ANGULAR ± 1°	.XXX ± .006
UNIT ASSEMBLY TOLERANCES	
HEIGHT ± 1/16	WIDTH ± 1/16
MULLION ± 1/16	FRACTION ± 1/32

PROJECT ENGINEER:
N HERTZOG
DRAWN BY:
A BURWELL
CHECKED BY:
J JONES
APPROVED BY:
J JONES
IDENTIFIER No.

DATE:
9/11/2015
SCALE:
AS SHOWN

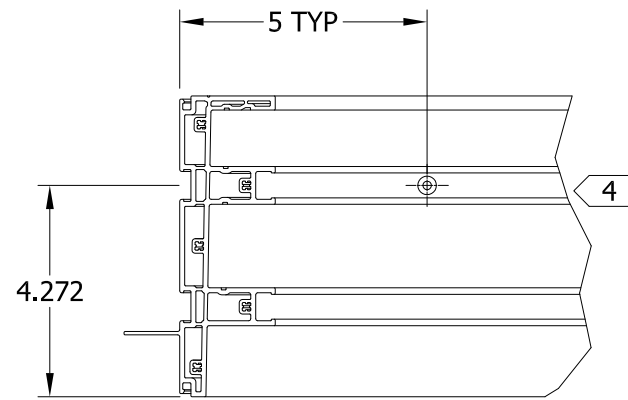
JELD-WEN
WINDOWS & DOORS
3737 Lakeport Blvd.
Klamath Falls, OR 97601
Phone: (541) 882-3451

TITLE:
**2-TRACK FRAME
MULTI-SLIDE PATIO DOOR
SILL AND HEAD ANCHOR HOLES DETAIL**
MODEL No.: P012967-394.ipt
DRAWING No.: P012967

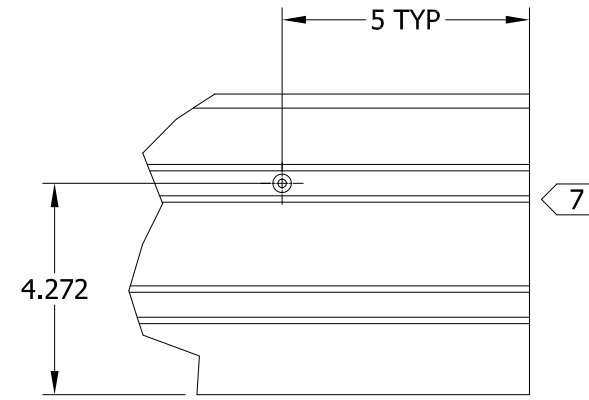
© 2015 JELD-WEN, inc. ALL RIGHTS RESERVED. NO DUPLICATION OR DISTRIBUTION PERMITTED. JELD-WEN, inc. CONFIDENTIAL AND PROPRIETARY.
REV: B SHEET 11 OF 17

NOTES:

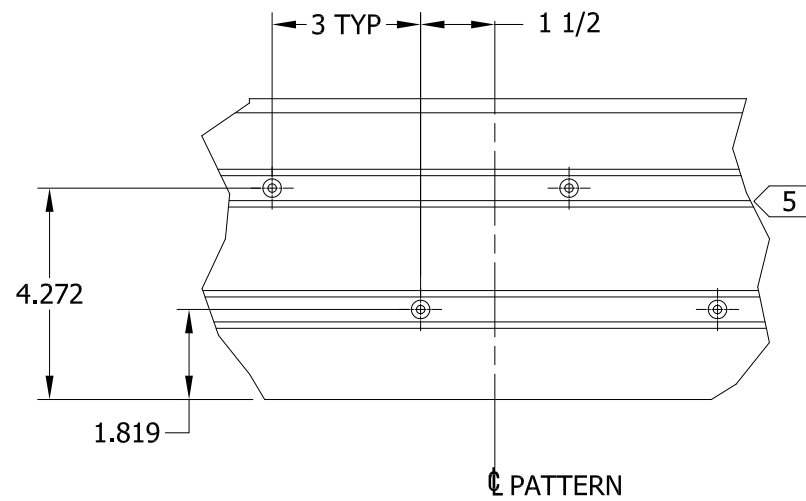
- 1 ALL HOLES IN ALL POSITIONS TO BE CENTERED WITHIN TRACK TOWERS AT HEAD OR SILL
- 2 TYP 1 ANCHOR PER PANEL LOCATED IN TRACK 1 TOWER AND ALIGNED WITH CENTER POINT OF EACH CLOSED POSITION PANEL
- 3 ANCHOR PATTERN LOCATED IN TRACK 1 & 2 TOWERS AT EACH INTERLOCK AREA
- 4 1 ANCHOR AT ENDS LOCATED IN TRACK 1 TOWER BOTH HEAD AND SILL
- 5 TYP 4 ANCHOR PATTERN LOCATED IN TRACK 1 & 2 TOWERS APPROXIMATE CENTER OF EACH CLOSED POSITION PANEL INTERLOCK AREA
- 6 CONFIGURATION FOR PG35/50 POCKET DOORS WITH THRU FRAME INSTALL
- 7 POCKET HEAD AND SILL END; MIRROR FOR 2-POCKET CONFIGURATIONS



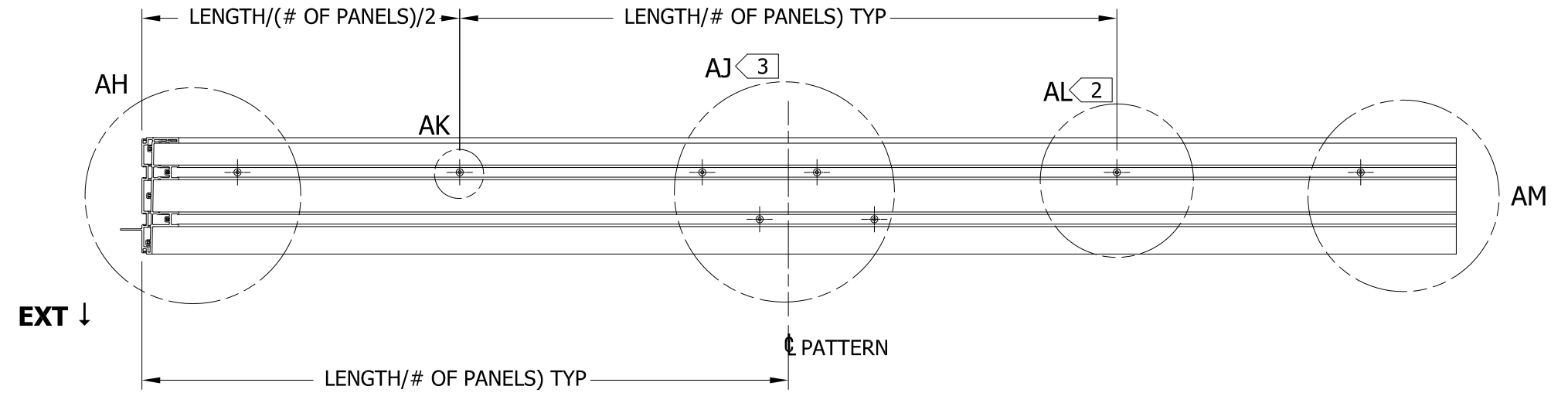
EXT ↓ DETAIL AH
SCALE 1 / 4



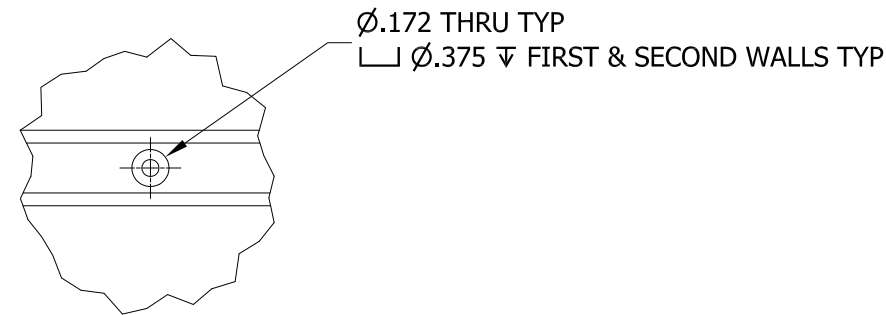
EXT ↓ DETAIL AM
SCALE 1 / 4



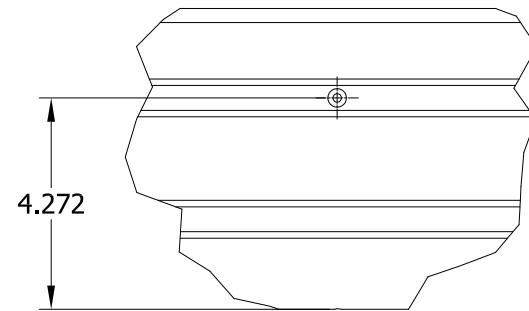
EXT ↓ DETAIL AJ
SCALE 1 / 4



EXT ↓



DETAIL AK TYPICAL HOLE
SCALE 1 / 2



EXT ↓ DETAIL AL
SCALE 1 / 4

HERMES F. NORERO
LICENSED PROFESSIONAL ENGINEER
No. 73778
STATE OF FLORIDA
HERMES F. NORERO, P.E.
398 East Dania Beach Blvd, Suite 338
Dania Beach, FL 33004

UNLESS SPECIFIED ALL DIMENSIONS IN INCHES
DO NOT SCALE DRAWING - REPORT ANY ERRORS

TOLERANCES (UNLESS SPECIFIED OTHERWISE)	
COMPONENT / PART TOLERANCES	
UNDER 10'-0" ± 1/32	.X ± .1
OVER 10'-0" ± 1/16	.XX ± .02
ANGULAR ± 1°	.XXX ± .006

UNIT ASSEMBLY TOLERANCES	
HEIGHT ± 1/16	WIDTH ± 1/16
MULLION ± 1/16	FRACTION ± 1/32

PROJECT ENGINEER:
N HERTZOG

DRAWN BY:
A BURWELL

CHECKED BY:
J JONES

APPROVED BY:
J JONES

IDENTIFIER No.

DATE:
9/11/2015

SCALE:
AS SHOWN

TITLE:

2-TRACK FRAME
MULTI-SLIDE PATIO DOOR
6 SILL AND HEAD ANCHOR HOLES DETAIL

MODEL No.:
P012967-314.ipt

DRAWING No.:
P012967

© 2015 JELD-WEN, inc. ALL RIGHTS RESERVED. NO DUPLICATION OR DISTRIBUTION PERMITTED. JELD-WEN, inc. CONFIDENTIAL AND PROPRIETARY.

REV: B SHEET 14 OF 17

JELD-WEN
WINDOWS & DOORS
3737 Lakeport Blvd.
Klamath Falls, OR 97601
Phone: (541) 882-3451